

## Frozen Granita Dispenser with 3 bowls, electronic control and lighted panel

ITEM # \_\_\_\_\_

MODEL # \_\_\_\_\_

NAME # \_\_\_\_\_

SIS # \_\_\_\_\_

AIA # \_\_\_\_\_


**562513 (IPRO3ELR290)**

Frozen Granita Dispenser with 3X11 l insulated bowls, electronic control and lighted panel, R290

### Short Form Specification

Item No. \_\_\_\_\_

Frozen granita dispenser with 3 bowls; the ITANK™ Technology prevents ice accumulation on the outer side of the bowl and the bowl shape allows a natural mixing action to ensure an optimum consistency of the product. Customizable lid merchandiser and back graphic. Electronic control system and touch screen keypad. Front illuminated panel. Sliding drip tray.

### Main Features

- Ideal for the production of slush.
- The ITANK™ Technology prevents ice accumulation on the outer side of the bowl, reducing condensation and increasing the cooling power of the machine.
- Bowl shape allows a natural mixing action to ensure an optimum consistency of the product.
- Customizable lid merchandiser and back graphic.
- Daily and weekly machine programming functionality.
- The front illuminated panel provides customers with the opportunity to advertise their product and maximise impulse buying.
- The insulated tank guarantees higher cooling efficiency and lower effect of the external temperature on product's preparation and maintenance time reducing condense and draining; it is the best solution in hot climate conditions.

### Construction

- Electronic control system and touch screen keypad.
- Sliding drip tray.

### Sustainability



- When the product reaches the right consistency, an automatic stand-by mode activates in order to save energy and reduce CO2 emissions.

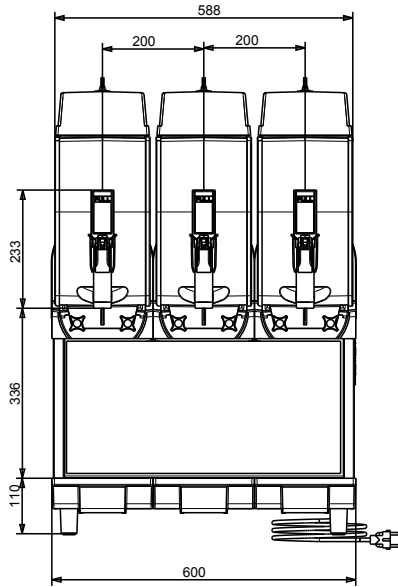
APPROVAL: \_\_\_\_\_



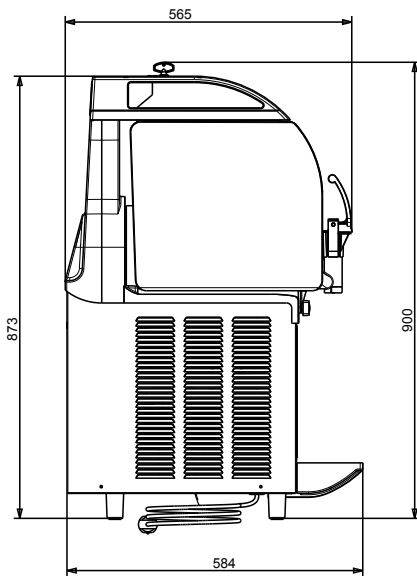
**Electrolux**  
PROFESSIONAL

**Frozen  
Frozen granita dispenser with 3 bowls,  
electronic control and lighted panel**

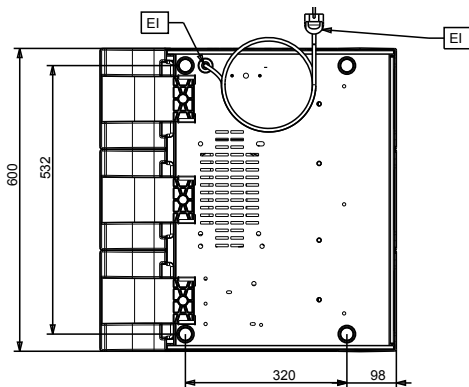
Front



Side



Top



**Frozen  
Frozen granita dispenser with 3 bowls, electronic control and lighted  
panel**  
The company reserves the right to make modifications to the products  
without prior notice. All information correct at time of printing.

2026.04.21

### Electric

Supply voltage: 220-240 V/1 ph/50 Hz  
Electrical power, max: 1.29 kW

### Key Information:

Net weight: 81 kg

### Sustainability

Refrigerant type: R290  
Refrigerant weight (unit 1): 108 g